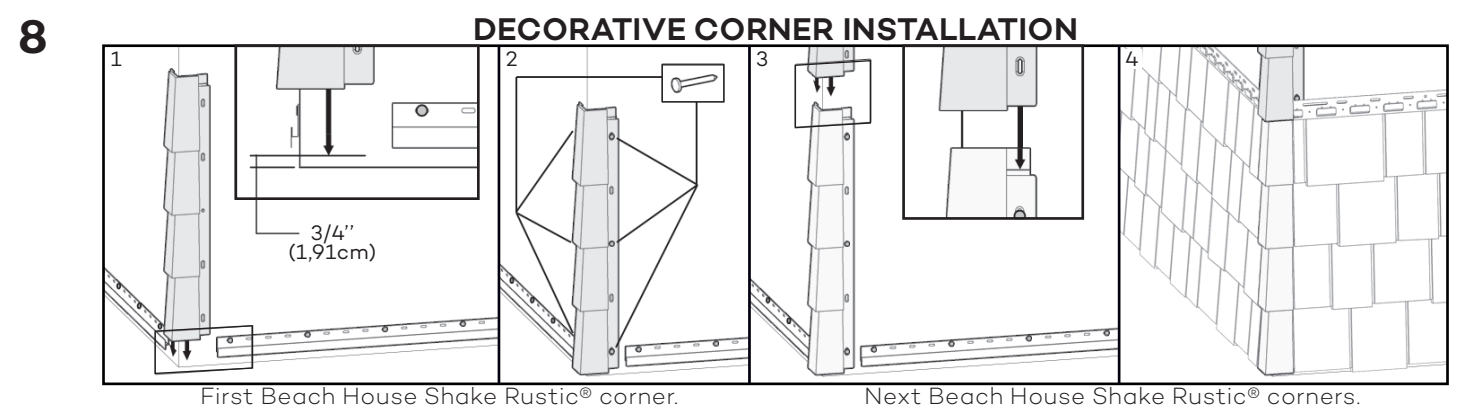
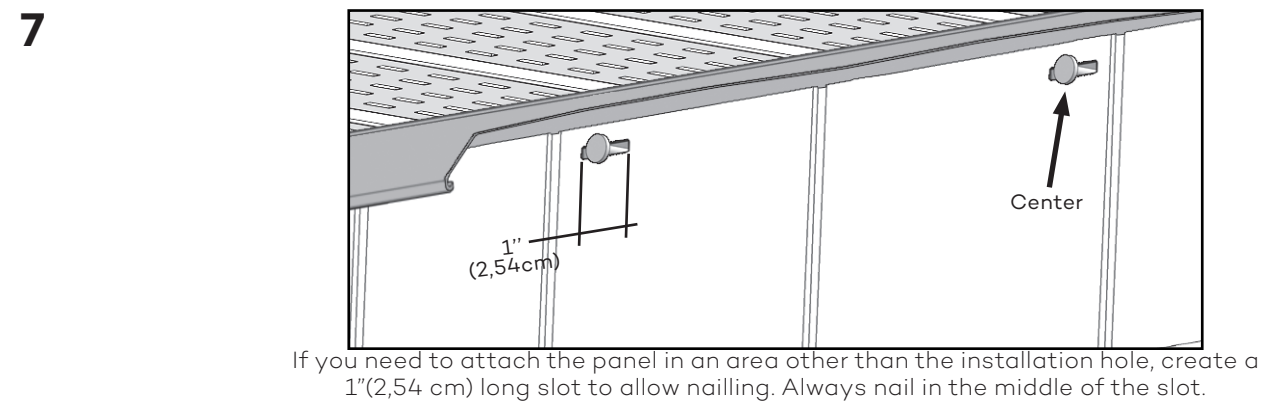
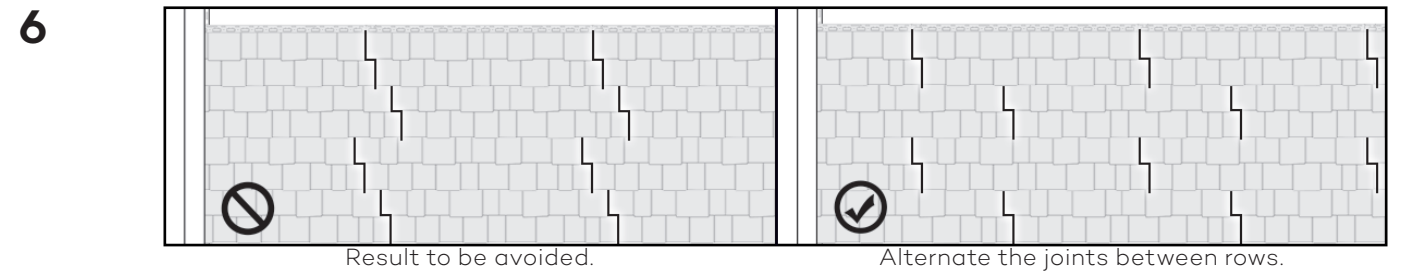
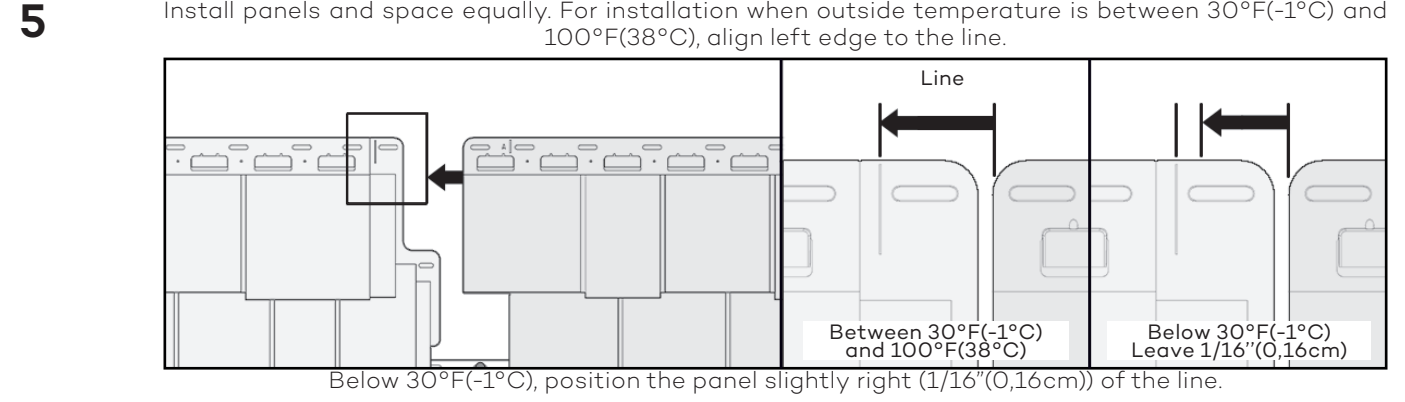
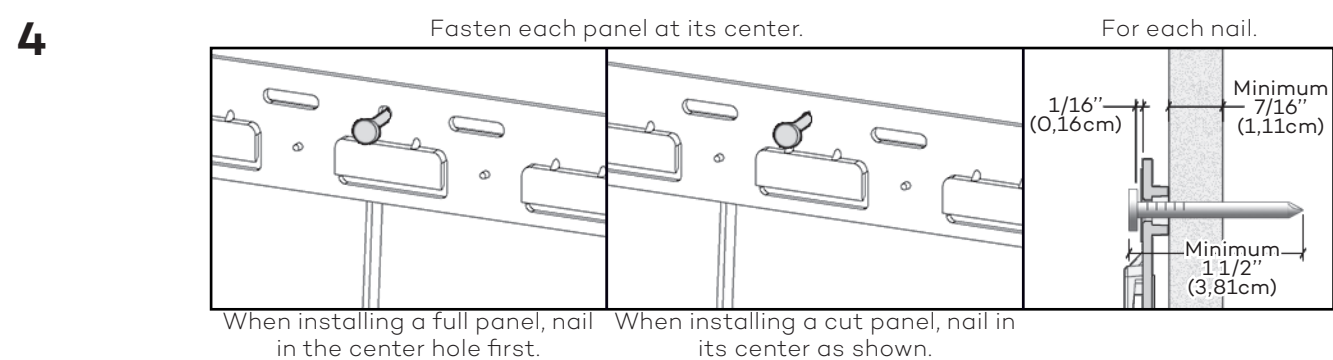
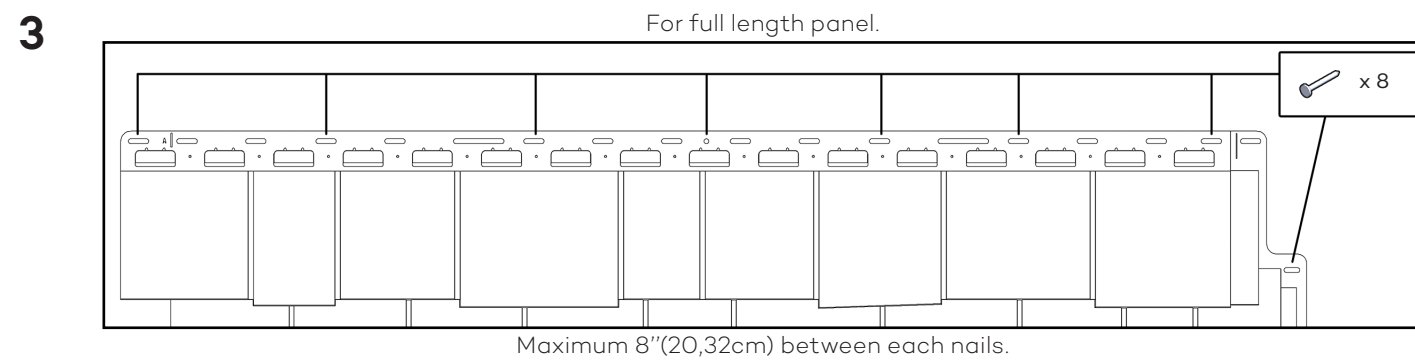
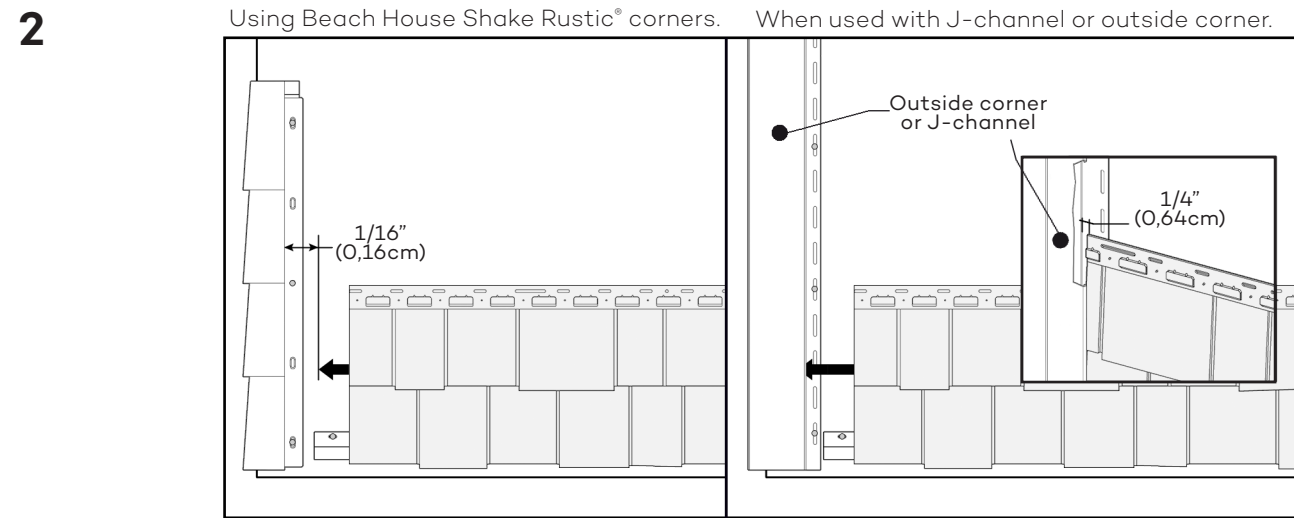
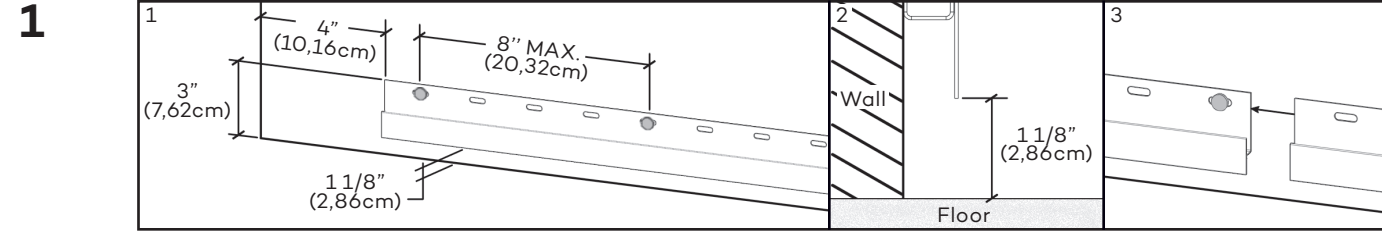


**CAUTION: ALWAYS INSTALL PRODUCT FROM LEFT TO RIGHT AND REMEMBER THAT COMPOSITE PANELS UNDERGO MINIMAL EXPANSION/CONTRACTION DUE TO TEMPERATURE VARIATIONS. FOR BEST APPEARANCE, WE RECOMMEND INSTALLING PRODUCT ON FLAT SURFACES (EX: PLYWOOD PANELS OR OSB PANELS). IF PANELS ARE INSTALLED ON A WALL WITH FURRINGS, THOSE STRIPS MUST BE INSTALLED ON A 45 DEGREE ANGLE, SPACED 8"(20,32CM) CENTER TO CENTER.**

FRANÇAIS  
AU VERSO



See [TANDOCOMPOSITES.COM](http://TANDOCOMPOSITES.COM) for the complete installation guide.

